



XE17U

MINI EXCAVATOR



www.xcmg.net.au

XE17U

PERFORMANCE, RELIABILITY & VALUE

GLOBAL DOMINANCE

XCMG is the World's 3rd largest construction machinery manufacturer, with branches, dealers and service agents throughout Australia.

ZERO TAILSWING

Operate with maximum performance, safety and efficiency in tight spaces thanks to the XE17U's true zero tailswing design.

KUBOTA ENGINE

Renowned Kubota Euro Stage V emission certified engine delivering maximum power and torque plus exceptional reliability and longevity whilst offering low noise and vibration levels.

INTELLIGENT DESIGN

With the touch of a button the track gauge can be adjusted from 990mm for the tight spaces, out to 1240mm for optimal digging performance.

EXCEPTIONAL HYDRAULICS

Class-leading 64.4 LPM hydraulic system delivers exceptional flow rates to attachments, with 34 LPM oil flow on Auxiliary 1.

BOOM CYLINDER

Unlike many other makes and models in its size class, the boom cylinder is located above the boom for added safety and less chance of damage during day-to-day operation.



Designed to perform...

MINI EXCAVATOR

OPEN CANOPY

ROPS, TOPS and OPG certified canopy is durable and robust to handle severe impact, ensuring your safety and peace of mind while operating.

VISIBILITY PLUS

In addition to the 360 degree visibility offered by the XE17U's clever open canopy design, also included as standard are front work lights for low light operation.

RELIABILITY & TRUST

XCMG's key focus is the complete satisfaction and success of every machine owner - making your business as profitable as possible.

EXTRA SAFETY FEATURES

XCMG has designed the XE17U with safety at the forefront, including an emergency stop, travel alarm, rotating beacon, and rear view mirrors as standard.

BUCKET KIT

Included with every XE17U is a premium 3 piece bucket kit for maximum versatility: 300mm, 450mm and 900mm buckets and a half hitch.

UNMATCHED SUPPORT

Product experts at your local dealer provide exceptional support throughout your machine's lifetime: operation, maintenance and service from the delivery date through to its very last day on the job.



...built to last.

XE17U



Comfortable and ergonomic operator station with canopy



Easy service access to all componentry



Double flange track rollers



Ergonomic zero tailswing design for tight access work

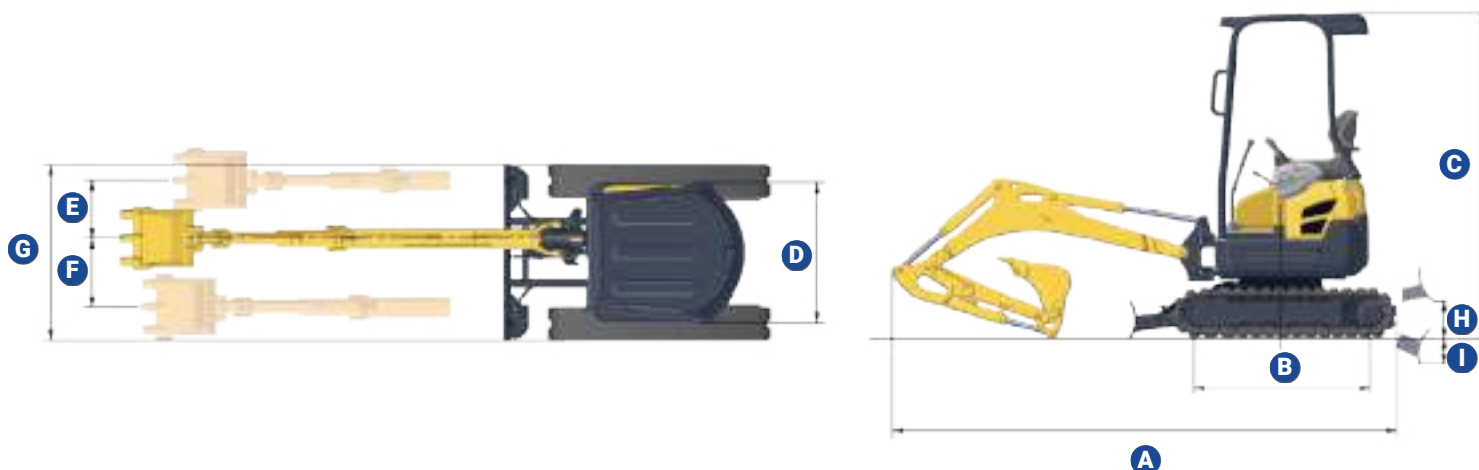
MINI EXCAVATOR



LIFTING CAPACITIES

Lift Point Height	Over Front				Over Side				Max Radius (mm)
	Lift at Max Radius (kg)	1m	2m	3m	Lift at Max Radius (kg)	1m	2m	3m	
2m	313.2		*296.2		256.8		*296.2		2946
1m	258.3		536.2	296.7	211.2		427.8	242.3	3301
0m	256.8		500.6	285.8	208.9		394.7	231.7	3249
-1m	316.9	*970.1	497.3		255.6	*970.1	391.6		2760

XE17U SPECIFICATIONS



XE17U	A	B	C	D	E	F	G	H	I
mm	3560	1270	2348	706 / 1010	335	500	990 / 1240	260	180

KEY PERFORMANCE SPECIFICATIONS

Key Specs	Operating Weight:	1795 kg
	Engine Model:	Kubota D902 Euro Stage V
	Maximum Power:	15.8 hp / 11.8 kW @ 2300 rpm
	Maximum Torque:	51.3 nM / 100 rpm
	Maximum Travel Speed:	3.1 km/h
	Tailswing:	Zero
	Boom Type:	Swing Boom
	Dipper / Boom Length:	950mm / 1830mm
	Boom Cylinder:	Above Boom
	Bucket / Arm Digging Forces:	16 / 10 kN
	Swing Speed:	9 rpm
	Maximum Dig Reach / Depth:	3900 mm / 2290 mm
Maximum Dump Height:	2415 mm	
Operator Station	Canopy / Cabin Type:	Open Canopy
	Canopy / Cabin Safety:	ROPS / TOPS / OPG
	Seat:	Suspension
	Joystick Controls:	Yes, Included as Standard
Hydraulics	Pump Type:	Load-Sensing Axial Piston Pump w/ Variable Displacement
	Pump Make:	XCMG
	Slew Pump Make:	XCMG
	Wheel Motor Make:	XCMG
	Hydraulic Piping:	Single / Bidirectional
	Hydraulic System Flow:	64.4 LPM
	Hydraulic Aux1 Flow:	34 LPM
Additional Features	Track Shoes:	230mm Rubber
	Dozer Blade:	Yes, Included as Standard
	Canopy:	Yes, Included as Standard
	Amber Rotating Beacon:	Yes, Included as Standard
	Emergency Stop:	Yes, Included as Standard
	Rear View Mirrors:	Left + Right
	Lockable Battery Isolator:	Yes, Included as Standard
	Bucket/s Included:	300mm + 450mm + 900mm

Note: specifications listed above are correct at February 2022 and are subject to change any time. For additional information visit www.xcmg.net.au.

ABOUT US

INDUSTRY EXPERTISE

XCMG is one of Australia's fastest growing construction, mining and agriculture equipment suppliers.

Offering premium quality excavators, wheel loaders, compaction rollers, graders, elevated work platforms and more, XCMG has the products and the support to keep you working on any job site.

MACHINERY SALES

XCMG know construction, mining and agri machinery. Count on our **dedicated and knowledgeable** team of product experts to take the time to understand and satisfy your machinery needs by recommending the right solution for the job.

AFTERMARKET SUPPORT

We're here to help keep you and your machine working. With an **exceptional over-the-counter** fill rate on spare parts, you're assured that when you buy an XCMG machine, you'll be looked after throughout your machine's entire lifetime, from start to finish.

Every service job is as important to us as it is to you, and with a dedicated team of machinery technicians, we have ample resources to look after any of your machine repairs or servicing requirements quickly and efficiently.

RENTALS & HIRE

If you need a high-performance machine with reliability you can trust, and the flexibility of hiring, we have you covered.

Our fleet is diverse, with machines to suit almost any job. Furthermore, because our rental fleet is maintained by factory-trained technicians, you can be confident that you'll not only be getting the best machines on the market, but that it's going to work as hard as you do, day-in day-out.

ABOUT

The World's 3rd largest manufacturer of construction and mining equipment.

Founded in 1943 - equipped with more than 8 decades of experience in the industry.

Manufacturing facilities located around the world: USA, Germany, China, Brazil and India.

Extensive supply chain and dealer network throughout Australia offering premium aftersales service and parts support.

Deep relationships with corporate giants Rio Tinto, BHP and MMG in Australia.

MINI / LARGE EXCAVATORS

1 to 100+ Tonne

WHEEL LOADERS

5 to 100 Tonne

COMPACTION ROLLERS

1.5 to 30 Tonne Smooth & Padfoot

GRADERS

7.5 to 70 Tonne

ACCESS EQUIPMENT

Lift Heights from 5 to 21 Metres

MINING TRUCKS

20 to 100 Tonne

FIND OUT MORE & LOCATE YOUR NEAREST DEALER:

www.xcmg.net.au

“XCMG: FOR YOUR SUCCESS”



YOUR LOCAL XCMG DEALER:



www.xcmg.net.au