



XD120

VIBRATORY ROLLER



www.xcmg.net.au

XD120

PERFORMANCE, RELIABILITY & VALUE

KUBOTA ENGINE

Featuring a choice of 2 engines, the Tier 3 Kubota D1703 or the D1803-CR-E5B, 33 HP, 24.6 kW water-cooled, 3 cylinder engine with high power reserve, low fuel consumption and low noise emission.

HEAVY DUTY DRUM

Inner-cylinder drum chamber is simple and robust for excellent performance, long lifetime and exceptionally high reliability.

COMPACTION

The XD120 has a large diameter drum with two vibration frequencies available, also included is pressurised, interval water spray help the operator get the job done quicker with less tools.

PREMIUM GRADEABILITY

Proportional ASC closed loop hydraulic drive system composed of a variable displacement pump, plus a constant motor. Drum selection is made easy with a switch for front, rear or both.

MANOEUVRABILITY

The XD120 features high transport speed, narrow turning radius and high level gradability, made possible by the closed loop hydraulic propel system.

SAFETY

Safety features of the XD120 include e-stop switch, seat occupation switch and seat belt, helping make the work area. The battery is fitted with an isolator under the hood.

Designed to perform...



VIBRATORY ROLLER

COMFORTABLE

Ergonomic setup with comfortable seat, foldable ROPS, multifunction travel control lever, plus easy access to vibration control, horn and spray override.

EFFICIENT MAINTENANCE

Engine hood tilts forward easily and extensively for better access to service and maintenance areas and all fundamental componentry.

EXCELLENT VISIBILITY

The seat position provides the operator excellent drum edge visibility, as well as an easy view of the rear drum. Plus the LED worklights allow better visibility in low light situations.

GLOBAL DOMINANCE

XCMG is the World's 3rd largest construction machinery manufacturer, with branches dealers and service agents throughout Australia.

RELIABILITY & TRUST

XCMG's key focus is the complete satisfaction and success of every machine owner - making your business as profitable as possible.

UNMATCHED SUPPORT

Product experts at your local dealer provide exceptional support throughout your machine's lifetime: operation, maintenance and service from the delivery date through to its last day on the job.



...built to last.

XD120

***Easy everyday
maintenance access***



***Comfortable seat, seat
belt, wheel and joystick
controls.***



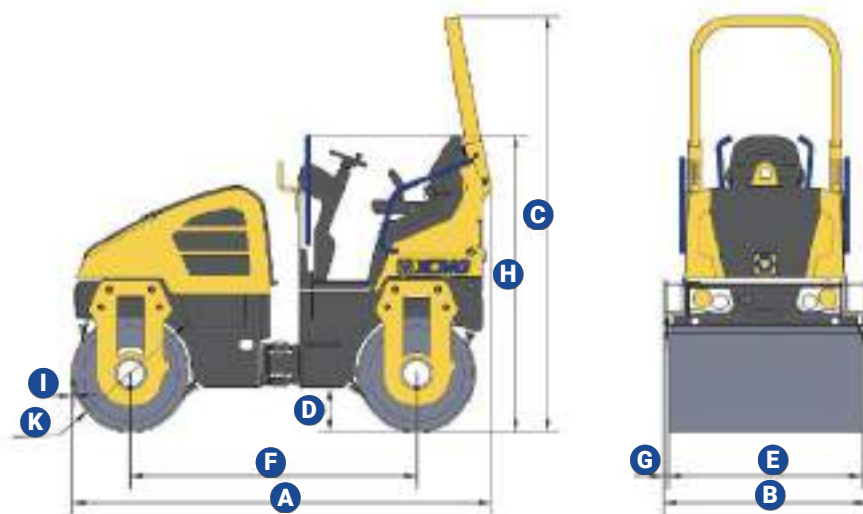
VIBRATORY ROLLER

*Pressurised water
sprayers*



*Heavy duty drum for
exceptional durability*

XD120 SPECIFICATIONS



Dimensions (mm)	A	B	C	D	E	F	G	H	I	K
XD120	2565	1286	2575	275	1200	1773	42	1845	11	720

Item	Content	Unit	XD120
Parameters	Operating Weight:	kg	2700
	Static Load Front Drum:	N/cm	110
	Static Load Rear Drum:	N/cm	110
	Amplitude:	mm	0, 5
	Frequency:	Hz	63/67
	Vibration Force:	kN	36/41
	Drum Dimensions:	mm	720x1200
Propel Performance	Speed:	km/h	0-10
	Gradeability:	%	30
	Minimum Turning Radius - Inner:	mm	2250
	Minimum Turning Radius - Outer:	mm	3450
	Oscillation Angle:	°	±8
Engine Specs	Engine Manufacturer:		Kubota
	Type:		D1803-CR-E5B or D1703
	Cooling:		Water
	Emission Stage:		Tier 3 or Tier 5
	Number of Cylinder:		3
	Performance ISO 14390:	kW	24
	Performance SAE J 1995:	hp	33
Rated Engine Speed:	min-1	2400	

Note: specifications listed above are correct at May 2022 and are subject to change any time. For additional information visit www.xcmg.net.au.

ABOUT US

INDUSTRY EXPERTISE

XCMG is one of Australia's fastest growing construction, mining and agriculture equipment suppliers.

Offering premium quality excavators, wheel loaders, compaction rollers, graders, elevated work platforms and more, XCMG has the products and the support to keep you working on any job site.

MACHINERY SALES

XCMG know construction, mining and agri machinery. Count on our dedicated and knowledgeable team of product experts to take the time to understand and satisfy your machinery needs by recommending the right solution for the job.

AFTERMARKET SUPPORT

We're here to help keep you and your machine working. With an exceptional over-the-counter fill rate on spare parts, you're assured that when you buy an XCMG machine, you'll be looked after throughout your machine's entire lifetime, from start to finish.

Every service job is as important to us as it is to you, and with a dedicated team of machinery technicians, we have ample resources to look after any of your machine repairs or servicing requirements quickly and efficiently.

RENTALS & HIRE

If you need a high-performance machine with reliability you can trust, and the flexibility of hiring, we have you covered.

Our fleet is diverse, with machines to suit almost any job. Furthermore, because our rental fleet is maintained by factory-trained technicians, you can be confident that you'll not only be getting the best machines on the market, but that it's going to work as hard as you do, day-in day-out.

ABOUT

The World's 3rd largest manufacturer of construction and mining equipment.

Founded in 1943 - equipped with more than 8 decades of experience in the industry.

Manufacturing facilities located around the world: USA, Germany, China, Brazil and India.

Extensive supply chain and dealer network throughout Australia offering premium aftersales service and parts support.

Deep relationships with corporate giants Rio Tinto, BHP and MMG in Australia.

MINI / LARGE EXCAVATORS

1 to 100+ Tonne

WHEEL LOADERS

5 to 100 Tonne

COMPACTION ROLLERS

1.5 to 30 Tonne Smooth & Padfoot

GRADERS

7.5 to 70 Tonne

ACCESS EQUIPMENT

Lift Heights from 5 to 21 Metres

MINING TRUCKS

20 to 100 Tonne

FIND OUT MORE & LOCATE YOUR NEAREST DEALER:

www.xcmg.net.au

“XCMG: FOR YOUR SUCCESS”



YOUR LOCAL XCMG DEALER:



www.xcmg.net.au